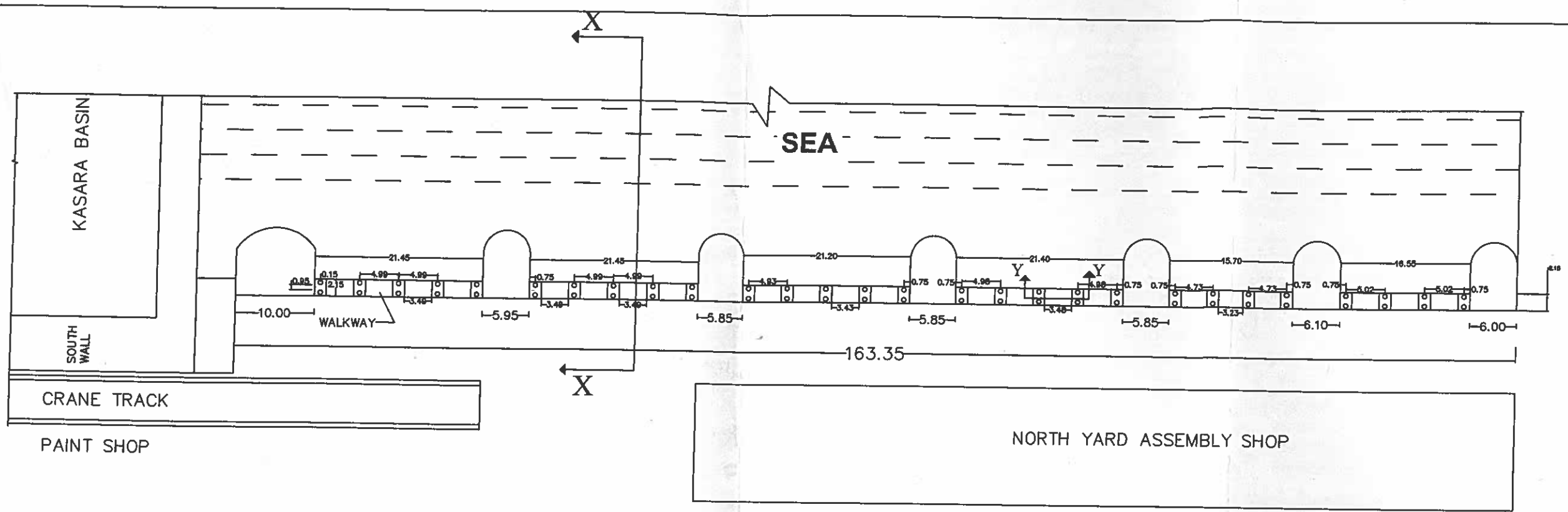
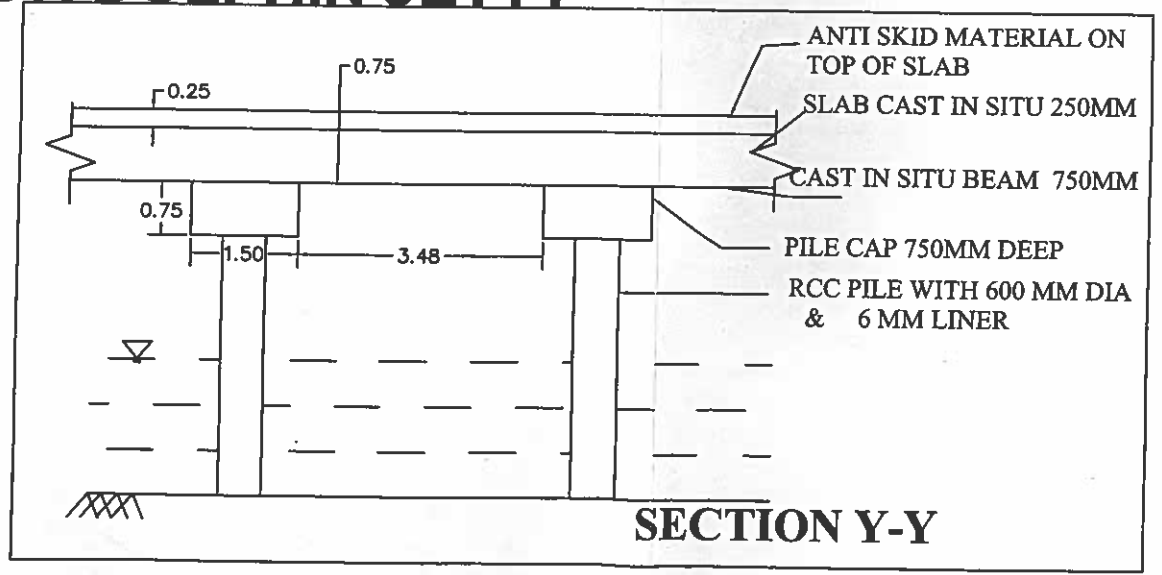
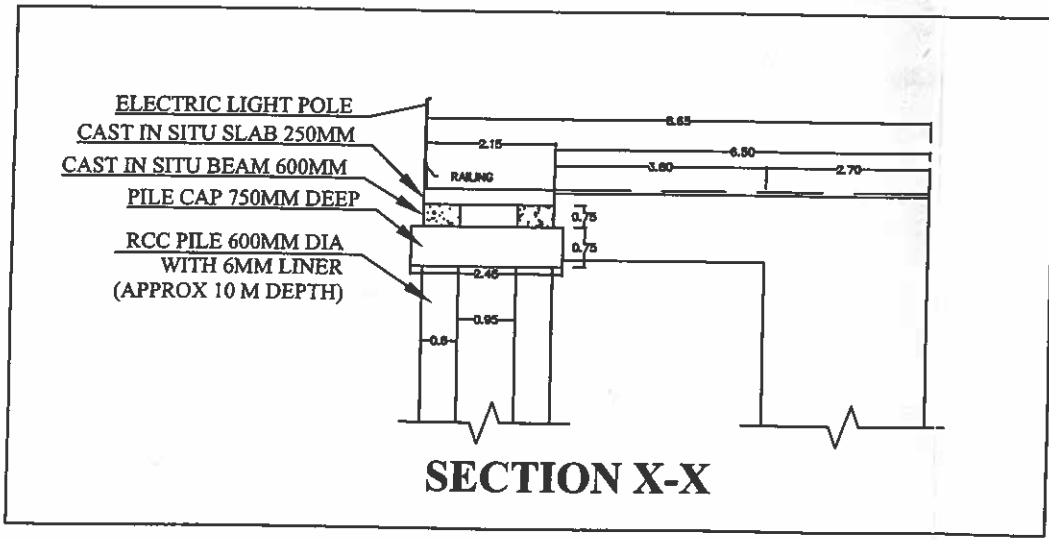
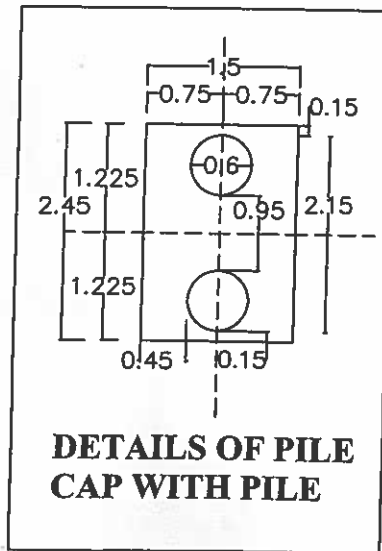


Portion of
ratio of



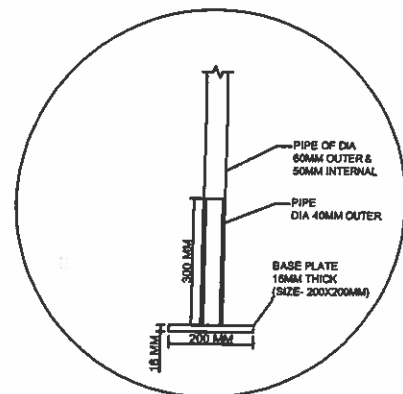
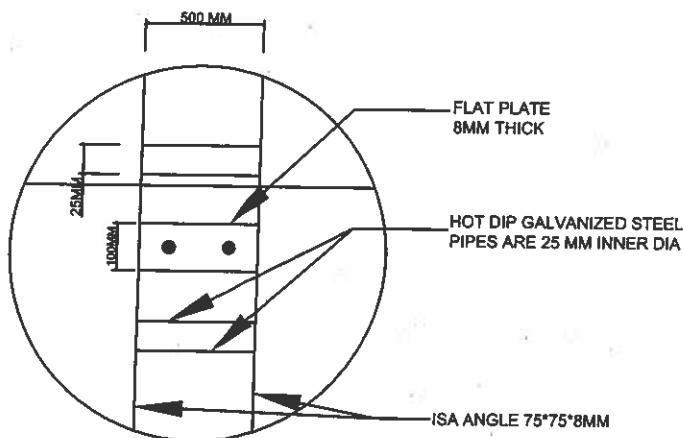
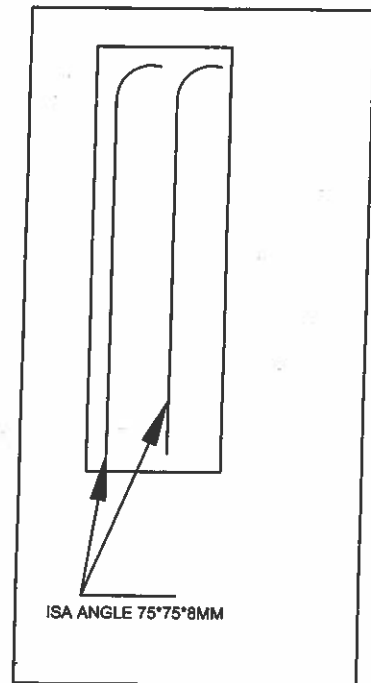
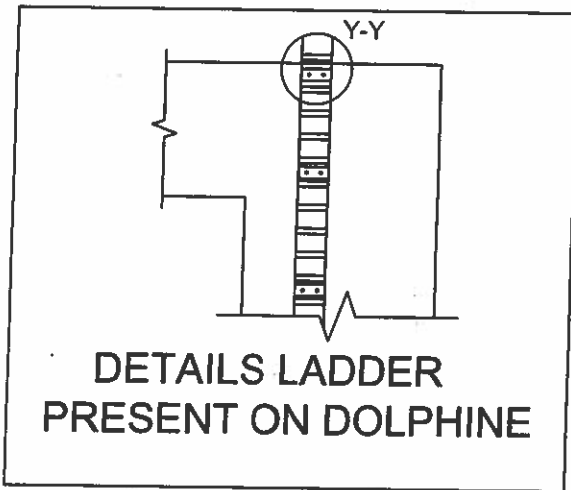
PROPOSED PLAN LAYOUT FOR DOLPHIN JETTY



NOTE: DIMENSION ARE NOT TO SCALE

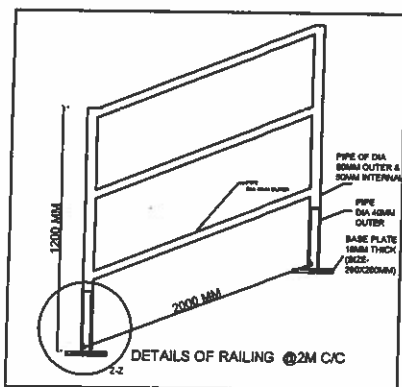
Jayawant RAO
JAYAWANT RAO
 प्रबंधक (तकनीकी सेवाएँ)
 MANAGER (TECHNICAL SE)
 माझगांव डॉक शिपबिल्डर्स लिमिटेड
 MAZAGON DOCK SHIPBUILDERS LIMITED

MADHUSAH
MADHUSAH
 उपायुक्त प्रबंधक (तकनीकी सेवाएँ)
 DEPUTY GENERAL MANAGER (Technical Services)
 माझगांव डॉक शिपबिल्डर्स लिमिटेड
 Mazagon Dock Shipbuilders Limited



DETAILS Y-Y

SECTION Z-Z



PLAN NOT TO SCALE

Jaywant
जयवंत राव

JAYAWANT F.A.O

प्रबंधक (तकनीकी सेवारें)

MANAGER (TECHNICAL SERVICES)

माझगांव डॉक शिपबिल्डर्स लिमिटेड

MAZAGON DOCK SHIPBUILDERS LIMITED

Madhusah
मधु साह
MADHUSAH

सहायक प्रबंधक (तकनीकी सेवारें)
DEPUTY GENERAL MANAGER (Technical Services)
माझगांव डॉक शिपबिल्डर्स लिमिटेड
Mazagon Dock Shipbuilders Limited

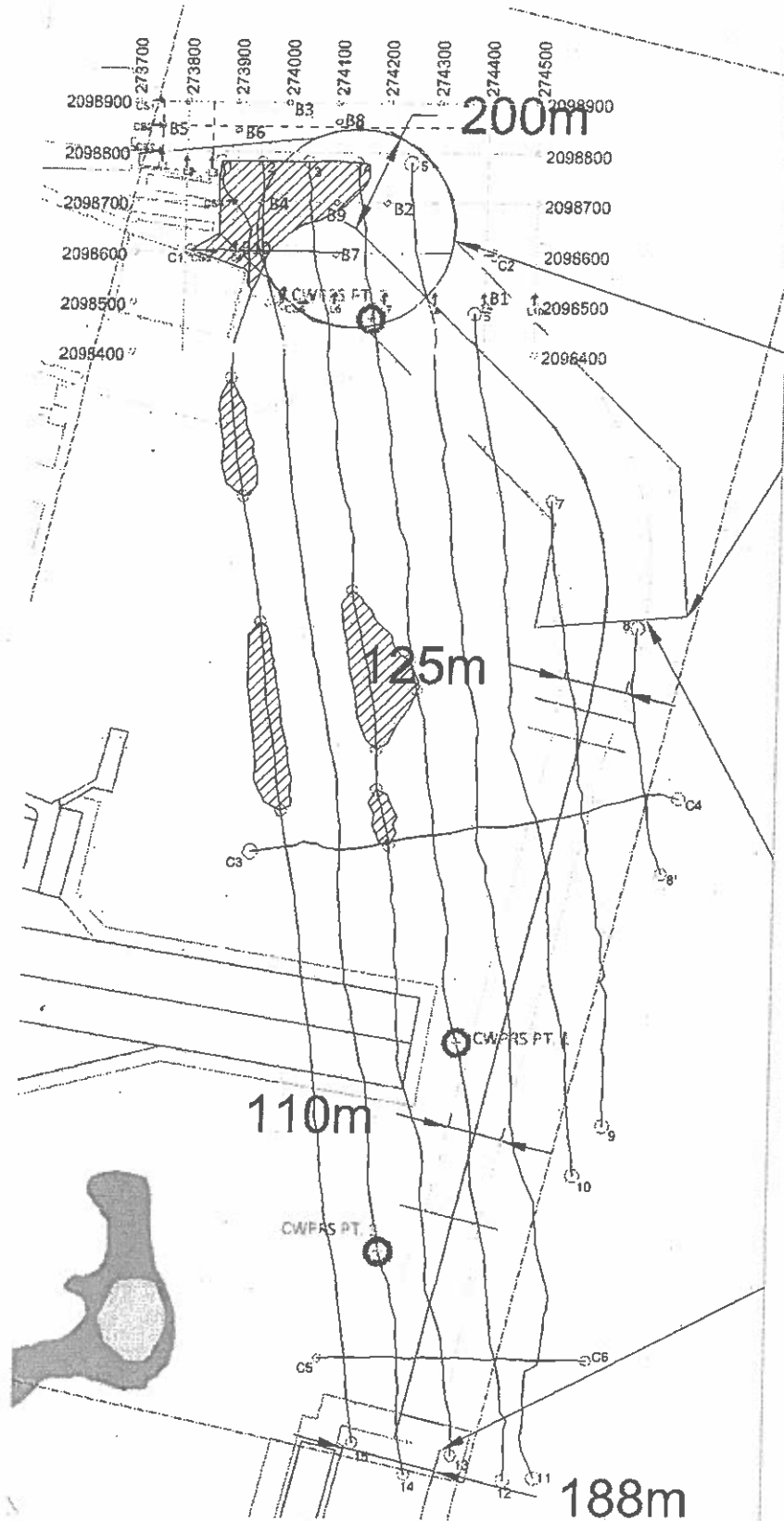


Fig 1: Locations of Boreholes



CLIENT : MDL															
PROJECT : Marine Geotechnical Investigation (8 boreholes) in front of Northern Waterfront of MDL, Mumbai															
BORE HOLE NO. : MBH-03															
LOCATION : -						SHEET NO. : 1 OF 1									
CO-ORDINATE : E-274000, N-2098900						DATE : 05/05/2017 to 05/05/2017									
GROUND R. L. : (-) 0.28 m						METHOD : ROTARY DRILLING									
GROUND W. T. : Marine Bore hole						CASING : 100 mm Ø Nx Upto 0.00m Below B.L.									
DEPTH (m.)	DIA. OF BORE HOLE	LOG.	STRATA DESCRIPTION	SAMPLE		BLOWS/15cm				SPT N	CR %	ROQ %	OTHER TESTS		
				DEPTH (m)	TYPE	15	15	15	15						
0.00															
1.00	100 Ø MM		Ash gray very soft Silty CLAY	1.50	-1.76	SPT1	15	30	45	60	N				
2.00				2.10	-2.38		00	00	00	00	01				
3.00				3.00	-3.26	UDS1							Sleep DS1 Collected		
4.00				3.60	-3.76										
5.00				4.50	-4.76	SPT2	15	30	45	60	N				
6.00				5.10	-5.36		00	01	01	01	02				
7.00				6.00	-6.26	SPT3	10	-	-	-	N				
8.00				6.10	-6.36		40	-	-	-	R				
9.00				7.50	-7.76	SPT4	08	-	-	-	N				
10.00				7.58	-7.84		59	-	-	-	R				
SPT N = STANDARD PENETRATION TEST VALUE ROQ = ROCK QUALITY DESIGNATION LDS = UNDISTURBED SOIL SAMPLE SCALE : 1:50 CR = CORE RECOVERY DS = DISTURBED SOIL SAMPLE VST = VANE SHEAR TEST JOB NO. : 187															
REMARKS : THE BORE HOLES TERMINATE AT DEPTH (-) 7.76 MTR M.C.D.						Reviewed By :	Checked By :	Drawn By :							
WAPCOS LTD.						WAPCOS LTD.	-	-							



CLIENT : MDL															
PROJECT : Marine Geotechnical Investigation (8 boreholes) In front of Northern Waterfront of MDL, Mumbai															
BORE HOLE NO. : MBH-05															
LOCATION : -						SHEET NO. : 1 OF 1									
CO-ORDINATE : E-273750, N-2098850						DATE : 08/05/2017 to 09/05/2017									
GROUND R. L. : (+) 0.56 m						METHOD : ROTARY DRILLING									
GROUND W. T. : Marine Bore hole						CASING : 100 mm Ø Nx Upto 4.90m Below B.L.									
DEPTH (m.)	DIA. OF BORE HOLE	LOG.	STRATA DESCRIPTION	SAMPLE		BLOWS/15cm				SPT N	CR %	RQD %	OTHER TESTS		
				DEPTH (m)	TYPE	15	15	15	15						
0.00															
1.00	100 Ø MM			1.50	-0.94	SPT1	15	30	45	60	N				
					2.10	-1.54		00	00	00	01	01			
2.00				Ash gray very Soft Silty CLAY											
3.00					3.00	-2.44	UDS1		Collected						
					3.50	-2.94									
4.00															
					4.50	-3.94	SPT2	15	08	-	-	N			
					5.10	-4.54		00	01	28	52	29			
					4.90	-4.34	Rock						CR%	RQD	
5.00				Brownish gray Highly weathered ROCK									11	NIL	
6.00	NX		6.00	-5.44	Rock										
			Brownish gray Highly weathered BRECCIA								33	11			
7.00				7.00	-6.44	Rock									
			Brownish gray Moderately weathered BRECCIA									53	33		
8.00			8.00	-7.44	Rock										
9.00															
10.00															
SPT N = STANDARD PENETRATION TEST VALUE				RQD = ROCK QUALITY DESIGNATION				UDS = UNDISTURBED SOIL SAMPLE				SCALE : 1: 50			
CR = CORE RECOVERY				DS = DISTURBED SOIL SAMPLE				VST = VANE SHEAR TEST				JOB NO. : 187			
REMARKS : THE BORE HOLES TERMINATE AT DEPTH (-) 7.44 MTR M.C.D.						Reviewed By : WAPCOS LTD.		Checked By :		Drawn By :					
WAPCOS LTD.															



CLIENT : MDL														
PROJECT : Marine Geotechnical Investigation (8 boreholes) in front of Northern Waterfront of MDL,Mumbai														
BORE HOLE NO. : MBH-08														
LOCATION : -						SHEET NO. : 1 OF 1								
CO-ORDINATE : E-273900, N-2098843						DATE : 09/05/2017 to 10/05/2017								
GROUND R. L. : (+) 0.54 m						METHOD : ROTARY DRILLING								
GROUND W. T. : Marine Bore hole						CASING : 100 mm Ø Nx Upto 6.00m Below B.L.								
DEPTH (m.)	DIA. OF BORE HOLE	LOG.	STRATA DESCRIPTION	SAMPLE		BLOWS/15cm				SPT N	CR %	RQD %	OTHER TESTS	
				DEPTH (m)	TYPE	15	15	15	15					
0.00														
1.00	100 Ø MM			1.50 -0.96	SPT1	15	30	45	60	N				
			2.10 -1.56		00	00	00	01	01					
2.00				Ash gray very Soft Silty CLAY										
			3.00 -2.54	UDS1	Collected									
			3.50 -2.96											
4.00														
			4.50 -3.96	SPT2		15	08	-	-	N				
			5.10 -4.56			00	01	28	52	29				
5.00					5.00 -4.46	Rock								
6.00			NX		Brownish Completely weathered ROCK	6.00 -5.46	Rock						CR%	RQD
	Grayish Highly weathered BASALT										23	11		
7.00	7.50 -6.96	Rock												
8.00	8.00 -7.46	Rock									11	NIL		
9.00														
10.00														
SPT N = STANDARD PENETRATION TEST VALUE				RQD = ROCK QUALITY DESIGNATION				UDS = UNDISTURBED SOIL SAMPLE				SCALE : 1:50		
CR = CORE RECOVERY				DS = DISTURBED SOIL SAMPLE				VST = VANE SHEAR TEST				JOB NO. : 187		
REMARKS : THE BORE HOLES TERMINATE AT DEPTH (-) 7.46 MTR M.C.D.						Reviewed By :		Checked By :		Drawn By :				
WAPCOS LTD.						WAPCOS LTD.		-		-				